

Single Phase Hybrid Inverter

6KW

VT-6607106 SKU: 11514

5 **YEAR**
WARRANTY



Support for Time-of-use Optimization



Build in Anti-feed-in Function



Configurable Operation Modes



Compact Size and Easy Installation



Arc Fault Circuit Interrupter (AFCI)



Smart Monitoring & Remote Firmware Upgrade



PV OVERSIZE
1.5 Times PV Oversize



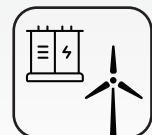
MPPT CHANNELS
Up to 2 MPPT Channels



UPS FUNCTION
Switch Time < 10ms

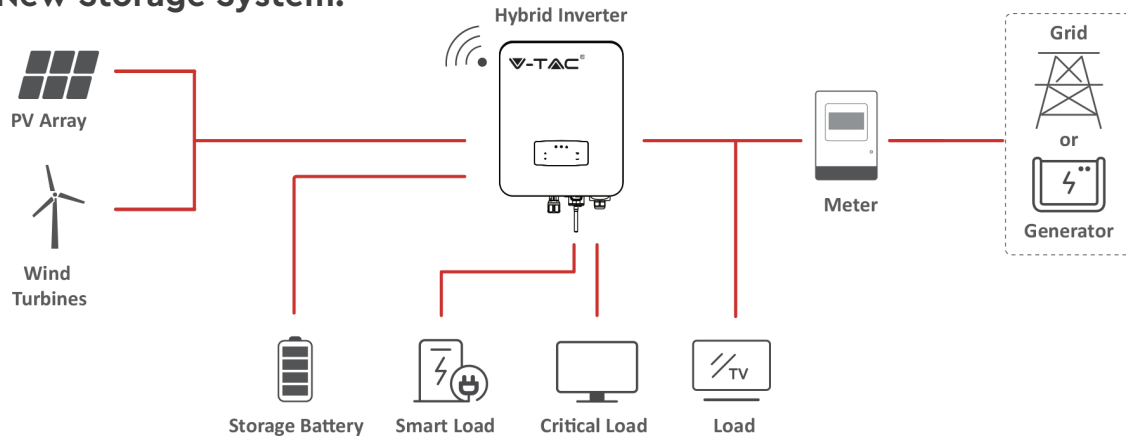


PARALLEL
Max.6 Parallel Stacking



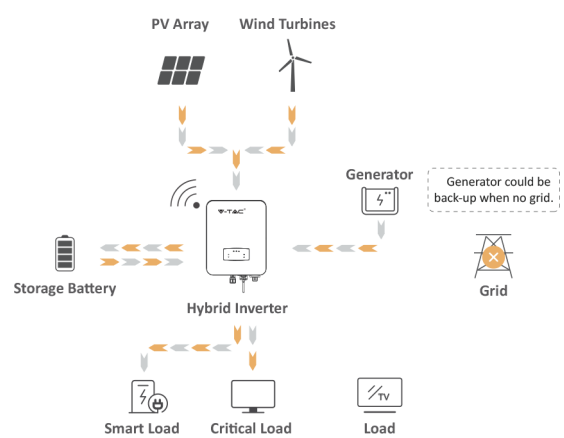
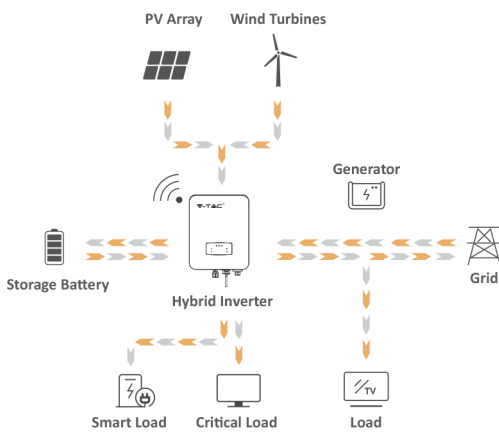
MULTIPLE INPUTS
Support Generator &
Wind Turbines

For New Storage System:



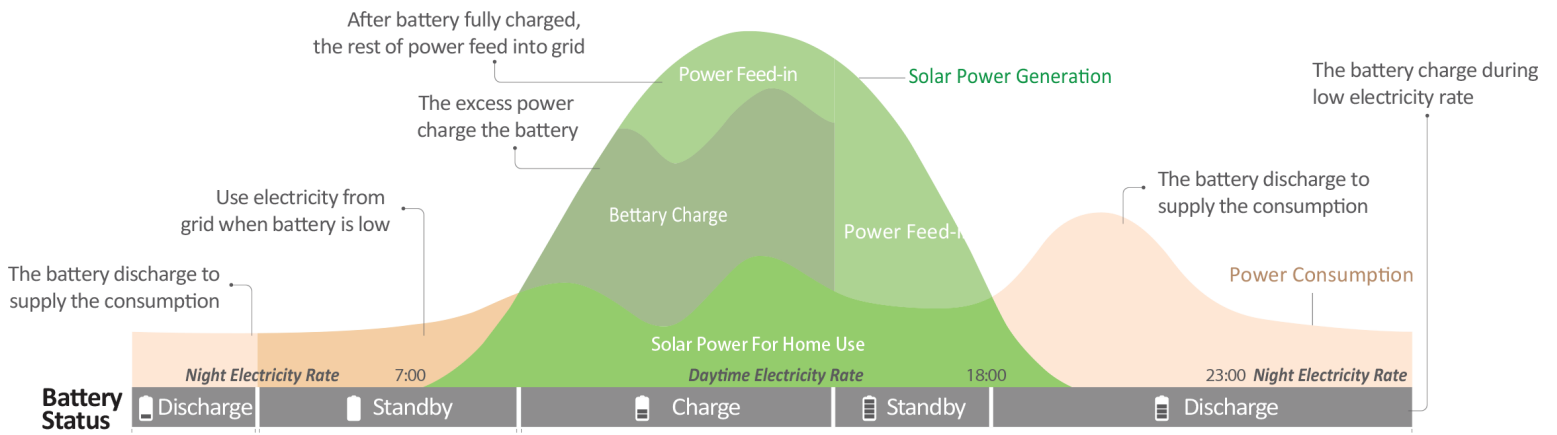
Optimizing Self-Consumption (on-grid)

Emergency Power Supply(off-grid)



Optimizing Self-Consumption Mode

With home energy storage installed, home owners may also be able to change from a flat rate electricity tariff to a time-of-use tariff. For the areas and regions, where peak shaving can be applied.





SOLAR ENERGY

Input (PV)

Max. Input Power (kW)	9.0
Max. PV Voltage (V)	550
MPPT Range (V)	80 - 500
Full MPPT Range (V)	170 - 500
Normal Voltage (V)	360
Startup Voltage (V)	100
Max. Input Current (A)	18.5 x 2
Max. Short Current (A)	26 x 2
No. of MPP Tracker / No. of PV String	2 / 2

Battery Port

Max. Charge/Discharge Power (kW)	4.8
Max. Charge/Discharge Current (A)	80
Battery Normal Voltage (V)	51.2
Battery Voltage Range (V)	40 - 60
Battery Type	Li-ion / Lead-acid etc.

AC Grid

Max Continuous Current (A)	28.0
Max Continuous Power (kVA)	6.0
Nominal Grid Current(A)	27.3 / 26.1
Nominal Grid Voltage (V)	198 to 242 @ 220 / 207 to 253 @ 230
Nominal Grid Frequency (Hz)	50 / 60
Power Factor	0.999 (Adjustable from 0.8 overexcited to 0.8 underexcited)
Current THD (%)	<3

AC Load Output

Max Continuous Current (A)	28.0
Max Continuous Power (kVA)	6.0
Max Peak Current (A) (10min)	41.0 / 39.2
Max Peak Power (kVA) (10min)	9.0
Nominal AC Current (A)	27.3 / 26.1
Nominal AC Voltage L-N (V)	220 / 230
Nominal AC Frequency (Hz)	50 / 60
Switching Time (s)	Seamless
Voltage THD (%)	< 3

Efficiency

CEC Efficiency (%)	97.0
Max. Efficiency (%)	97.6
PV to Bat. Efficiency (%)	98.1
Bat. between AC Efficiency (%)	96.8

Protection

PV Reverse Polarity Protection	Yes
Over Current/Voltage Protection	Yes
Anti-Islanding Protection	Yes
AC Short Circuit Protection	Yes
Residual Current Detection	Yes
Ground Fault Monitoring	Yes
Insulation Resister Detection	Yes
PV Arc Detection	Yes
Enclosure Protect Level	IP65 / NEMA4X

General data

Dimensions (L x W x H, mm)	513 x 370 x 192
Weight (kg)	17
Topology	Transformerless
Cooling	Intelligent Fan
Relatively Humidity	0 - 100 %
Operating Temperature Range (°C)	- 25 to 60
Operating Altitude (m)	< 4000
Noise Emission (dB)	< 25
Standby Consumption (W)	< 10
Mounting	Wall Bracket
Communication with RSD	SUNSPEC
Display & Communication Interfaces	LCD, LED, RS485, CAN, Wi-Fi, GPRS, 4G
Certification & Approvals	NRS97, G98/G99, EN50549-1, C10/C11, AS 4777, VDE-AR-N4105, VDE0126, IEC62040, IEC62109-1, IEC62109-2
EMC	EN61000-6-2, EN61000-6-3



SOLD IN OVER
70 COUNTRIES

www.vtacexports.com
ONE BRAND, ENDLESS SOLUTIONS.